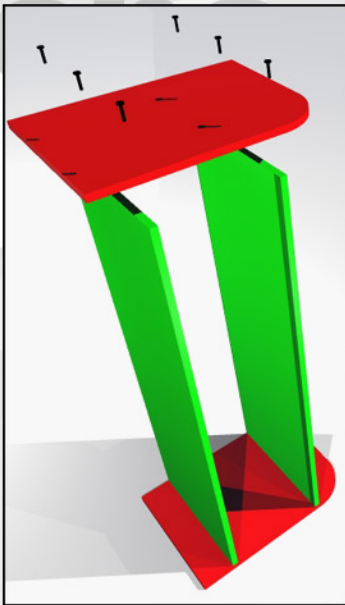
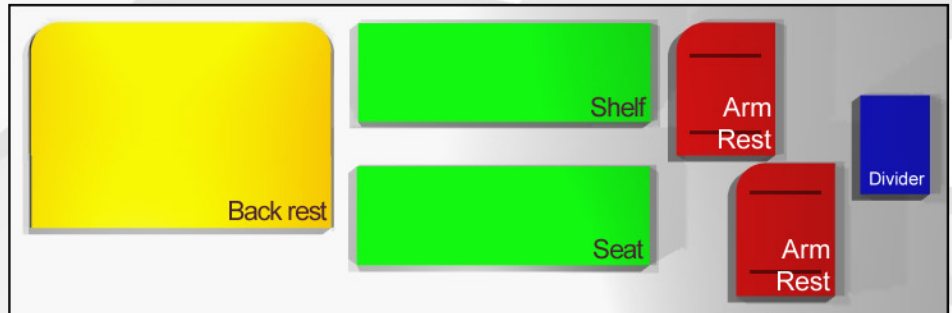




# Bench Assembly Instructions

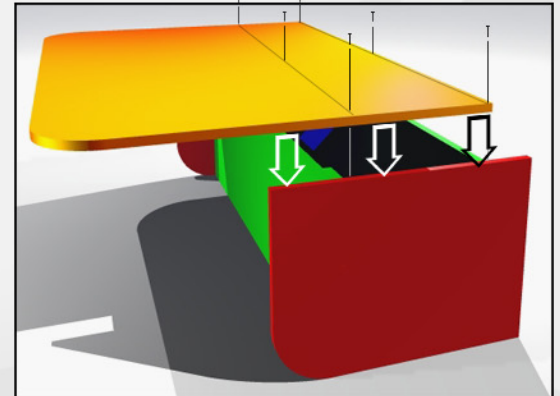
## Parts

It's simple follow the steps.

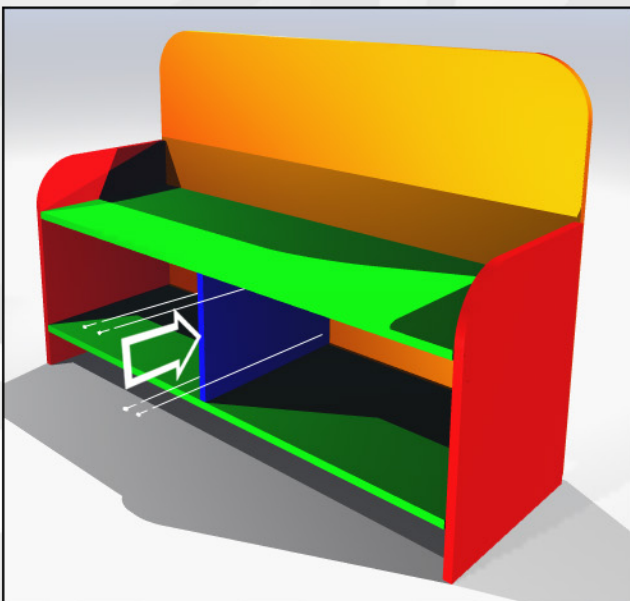


Step. 1.- Place the arm rest opposite to each other with the picture and the armrest's smooth edge facing out.  
The arm rest should be perpendicular to the table.  
The bench and shelf rest on top of the boards that come with the arm rests.

Step. 2.- The Arm rest have two boards affixed to them, set the shelf on the lower board. Insert the screws into the pre-drilled holes. Make sure the shelf rests evenly on the arm rest. Repeat the step for the seat.



Step. 3.- At this point the bench's smooth areas should be facing down. Set the back rest over the bench with the artwork facing down. The lower part of the bench should be parallel to the shelf. Insert the screws into the predrilled holes and screw in



Step. 4.- Finally, find the pre-drilled holes on the lower center part of the backrest. Place the divider in the front of the holes and screw in the screw.

**Enjoy!**